

SINGLE-JET WATER METER (SH1110/SH1120)



DN15-20

8 Wheels



DN15-25

5 Wheels

Features



Optional materials:
Brass body or plastic body



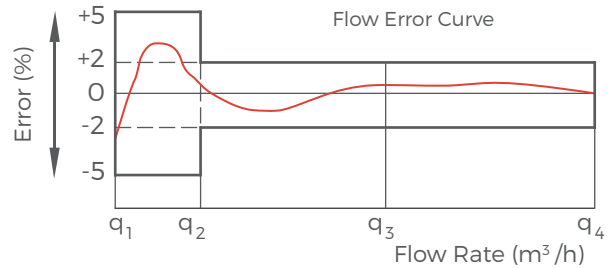
Clear reading throughout
service life



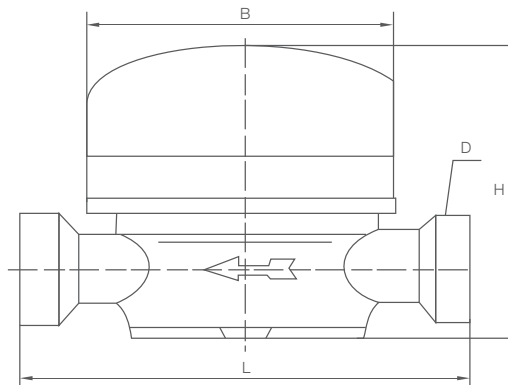
Optional lengths
available on request

Maximum Permissible Error

- In the lower zone from q_1 inclusive up to but excluding q_2 is $\pm 5\%$.
- In the upper zone from q_2 inclusive up to and including q_4 is $\pm 2\%$.



Outline Dimensional Drawing



Dimension

Type	DN	Length (L)	Width (B)	Height (H)	Connecting Thread
			mm		D
8 Wheels	15	110	67.5	72	G3/4B
	20	130	67.5	73.5	G1B
5 Wheels	15	110	82	89	G3/4B
	20	130	82	89	G1B
	25	130	82	89	G1 1/4B

Technical Data

Item	Unit	Details		
Nominal Diameter	mm	15	20	25
Size	inch	1/2"	1-1/2"	1"
Q4		3125	5000	7875
Q3		2500	4000	6300
R=80	Q2	50	80	126
	Q1	L/h	31.25	50
R=100	Q2	40	64	100.8
	Q1	25	40	63
Max. Reading	m ³	99,999	99,999	99,999
Min. Reading	L	0.05	0.05	0.05
Temperature Class			T50/T90	
Maximum Admissible Pressure			PN16	
Pressure Loss Classes			△P63	
			Vmax=24V	
Pulse Output Option			I _{max} =100mA	
			P _{max} =2W	

Technical Data

Item		Unit	Details				
Nominal Diameter		mm	15	20	25	32	40
Size		inch	1/2"	3/4"	1"	1-1/4"	1-1/2"
Q4			3125	5000	7875	12500	20000
Q3			2500	4000	6300	10000	16000
R=250	Q2	L/h	16	25.6	40.32	64	102.4
	Q1		10	16	25.2	40	64
Max. Reading		m ³	9,999	9,999	9,999	99,999	99,999
Min. Reading		L		0.01/0.02			0.1
Accuracy Class							Class2
Temperature Class							T50
Maximum Admissible Pressure							PN16
Pressure Loss Classes							△P63